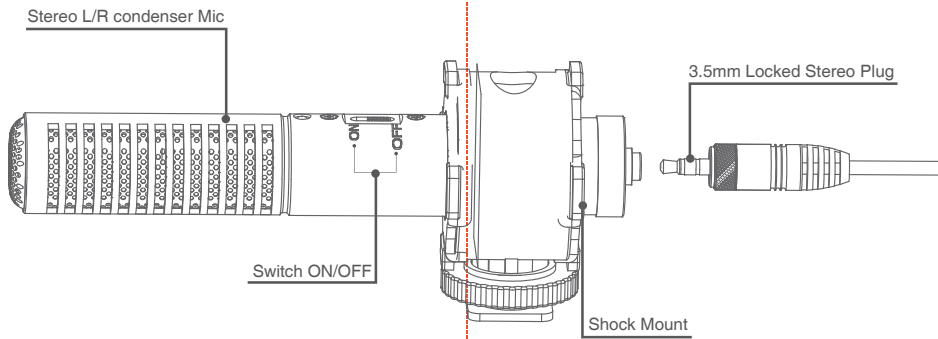




## BY-PVM50 Stereo Condenser Microphone



### Features

- Stereo X/Y condenser microphone
- Compact, lightweight and easy-use.
- Designed for DSLR cameras, Camcorders, Audio recorders etc.
- Professional condenser circuitry ensures excellent sound quality.
- Locked cable with 3.5mm stereo mini plug.
- Powered by included LR44 battery
- Integrated cold-shoe mount and foam windshield
- ON/OFF switch for convenient operation.
- Also includes fur windscreen, battery, and pouch.

2015 BOYA inc. Visit us on the web at [www.BOYA-mic.com](http://www.BOYA-mic.com)



## BY-PVM50 Stereo Condenser Microphone

### Specifications

<b>Polar Pattern:</b>	X/Y Stereo
<b>Frequency Response:</b>	60Hz - 18kHz±3dB
<b>Sensitivity:</b>	-30dB +/- 1dB / 0dB=1V/Pa, 1kHz
<b>Impedance:</b>	2000 ohms
<b>Maximum SPL:</b>	120dB, 1KHz
<b>Signal to Noise ratio:</b>	78dB
<b>Dynamic Range:</b>	95dB, 1 KHz
<b>Battery Type:</b>	1.5V LR44
<b>Battery Current:</b>	6.5 mA
<b>Switch:</b>	ON/ OFF
<b>Weight:</b>	80g (2.8 oz)
<b>Dimension:</b>	153 x 50 x 56 mm (6"x 2"x 2.2")
<b>Output Connector:</b>	3.5mm stereo locked mini-plug
<b>Accessories:</b>	Shock mount; foam windscreen; fur windscreen; LR44 battery; pouch

### BOYA AUDIO EQUIPMENT (SHENZHEN) CO., LIMITED

Add: A16 building, New Material Industrial Park of Silicon Valley Power, Guanlan Town, Shenzhen, China  
 Tel: (86)0755-28435910  
 Email: [sales@boya-mic.com](mailto:sales@boya-mic.com)

2015 BOYA inc. Visit us on the web at [www.BOYA-mic.com](http://www.BOYA-mic.com)