



7		8		
修改名称	版本	变更内容	变更日期	变更担当

1	2
品牌	BOYA
长丰型号	BY-BM6060L

BY-BM6060L
Professional shotgun microphone
超心型电容式麦克风
Instruction Manual

Instruction

Thanks for purchasing BOYA!

The BY-BM6060L is an improved super-cardioid Shotgun Microphone, features an extended length that offers extreme directionality and narrows the pick-up area, it's perfect for interviews, indie films, and also be used in ENG (News Gathering), sound design applications, etc.

Its wide frequency range of 40Hz-20 KHz and selectable high-pass filter at 150Hz delivers nature and clear sound, and increases the ability to endure loud sound sources before distortion.

Its 3-pin XLR output is in compliance with 24-48V phantom power supply or powered by one AA battery.

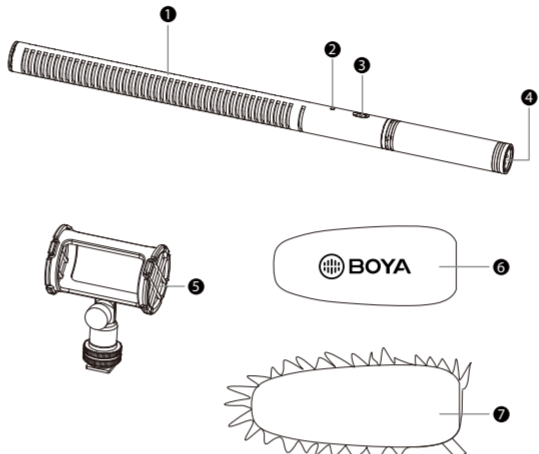
In addition, the BY-BM6060L includes a fur windshield and foam windscreen for an intelligible sound effect and secure protection.

Package Contents:

- BY-BM6060L Microphone
- Shock mount
- Foam windscreen
- Fur windshield
- Zipper bag
- User Manual
- Warranty card

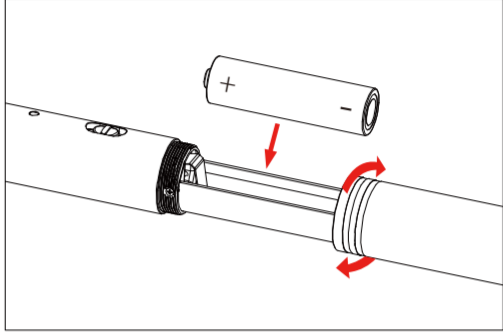
Product Structure:

1. Microphone boom
2. Power indicator
3. High-pass filter switch
4. 3-pin XLR output
5. Shock mount
6. Foam windscreen
7. Fur windshield



Installing the battery

1. Unscrew the microphone by rotating the base clockwise and pull out the cover properly to reveal the battery compartment.
2. Insert one AA battery into the compartment aligning as the right polarity.
3. Close the compartment and rotate it anticlockwise to tighten it.

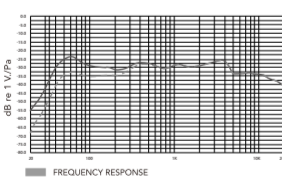
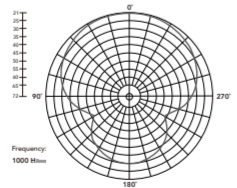


Features:

- Ideal for indie films, TV programs, nature shows and more
- Capture accurate sound in narrow pick-up range
- Maximum reduce the noise from the rear and sides
- Robust alloy-aluminum construction
- Switchable high pass filter control (150Hz)
- Powered by 24-48V phantom power or 1*1.5V AA battery
- Includes fur windshield, foam windscreen, zipper bag, shock mount adapter

Specification:

Type:	Condenser
Polar Pattern:	Super-Cardioid
Frequency Response:	40Hz-20,000Hz
Sensitivity:	-32±3dB(OdB=1V/Pa@1KHz)
Signal-to-Noise Ratio:	80dB
Output Impedance:	200Ω
Power Requirements:	24-48V phantom power or 1*1.5V AA battery
Output:	3-pin XLR
High Pass Filter:	150Hz
Weight:	171g (6 oz)

感谢您选择BOYA!

BY-BM6060L是一款超心型电容式麦克风，适用于各种专业录制场景。BY-BM6060L有两种供电方案可供选择，3芯XLR音频输出接口，支持24-48V幻象电源供电。当设备不能提供幻象电源时，同时也支持一节AA五号电池供电。此外，BY-BM6060L的低切过滤功能，能够切除150Hz以下的噪音，例如空调声和车鸣声，录制清晰自然的声音。

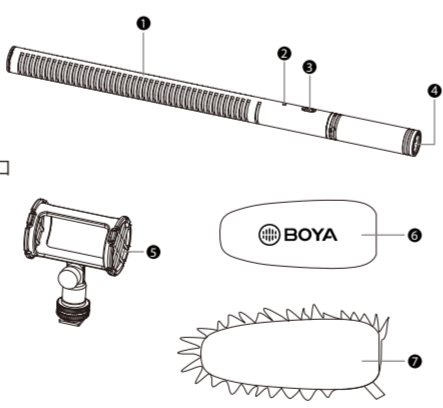
产品配置防风棉及防风毛套，隔绝外界噪音，还原清晰自然的声音。

包装内容

- BY-BM6060L麦克风
- 防震架
- 防风棉
- 防风毛
- 拉链包
- 用户手册
- 保修卡

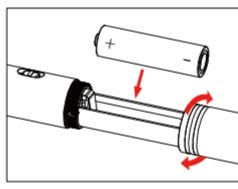
产品结构

1. 麦克风主体
2. 电源指示灯
3. 高通滤波器
4. 三芯XLR接口
5. 防震架
6. 防风棉
7. 防风毛



安装电池步骤

1. 顺时针旋开底座，往外拉出，打开电池仓。
2. 放入一节五号电池到电池仓，按照正负极位置放入。
3. 关闭电池仓，逆时针旋转紧。

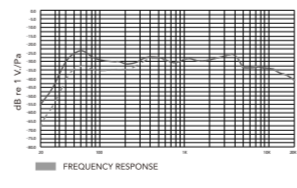
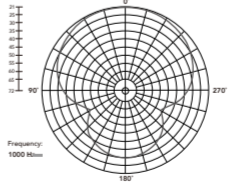


特点

- 适用于微电影、节目拍摄、纪录片等
- 收窄拾音范围，精准捕捉声音
- 最大限度减少后方和侧面噪音
- 坚固铝合金结构
- 低切过滤器开关(150Hz)
- 由24-48V幻象电源或1*五号AA电池供电
- 配置防风毛，防风棉，拉链包，防震架

参数

麦克风类型:	电容式
拾音模式:	超心型
频率响应:	40Hz-20,000Hz
灵敏度:	-32±3dB(OdB=1V/Pa@1KHz)
信噪比:	80dB
输出阻抗:	200Ω
能力要求:	24-48V幻象电源或一节五号AA供电
输出接口:	三芯XLR
低切过滤器:	150Hz
重量:	171g

www.boya-mic.com

SHENZHEN JIAYZ PHOTO INDUSTRIAL, LTD.
The BOYA logo is a trademark which is registered and owned by Shenzhen Jiayz Photo Industrial, Ltd. COPY RIGHT 2010-2020
深圳市长丰影像器材有限公司
地址:深圳市观澜街道章阁大富路智能终端产业园A16栋
TEL: 400 6131096
Email: sales@boya-mic.com
www.boya-mic.com / www.jiayz.com

受控文件
2020-4-26
长丰影像

- 技术要求:
- 1、表面无色差
 - 2、无正负公差
 - 3、包装标注尺寸为内尺寸

长丰影像
2020-4-24
吴蒙蒙

JIAYZ 长丰 深圳市长丰影像器材有限公司				
子件名称	BY-BM6060L说明书	版本	V00	
子件编号	1F0300300290	材质	105g双铜纸 双面印刷 4折页	
尺寸	85x150	比例	1:1	单位 mm
设计/日期	吴蒙蒙 2020-4-24	审核	暂无	核准/日期 赵宏亮