



BY-F8C

Professional cardioid lavalier video / instrument microphone

Instruction Manual

Thank you for purchasing BOYA BY-F8C!

Boya BY-F8C is a professional cardioid condenser lavalier video/instrument microphone, which not only perform well in video recording, but also works good for music recording.

The frequency response favors the mid-range frequencies of instruments and vocals while minimizing noise registering at high and low frequencies. Cardioid polar pattern reduces pickup of sounds from the sides and rear, make sure the sound source clear and well reserved.

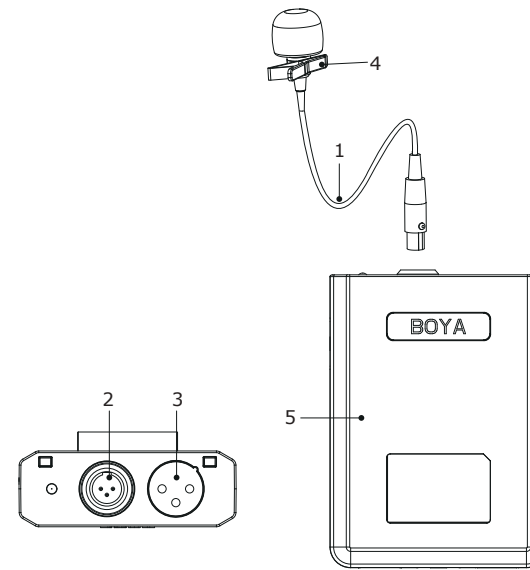
Package Contents

- Lavalier microphone
- Power module
- Lapel clip
- Foam windshield
- Fur windscreen
- Zipper carrying pouch

2

Structure

1. Mini 3-pin XLR lavalier mic
2. Mini 3-pin XLR male mount
3. Standard XLR male mount
4. Clothing clip
5. Power mould



3

Safety information



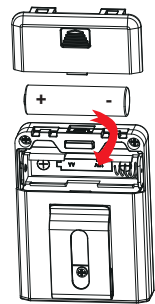
This symbol indicates that there are important operating and maintenance instructions in the literature accompanying your microphone.

1. Please read these instructions for use thoroughly before you use this new equipment for the first time. It contains everything you need to know in order to avoid damage to persons or property.
2. Heed all warnings and follow all instructions.
3. Do not use this microphone near water and clean only with a dry cloth.
4. Only use attachments/accessories specified by the manufacturer.
5. To protect the device from damage or malfunction, do not expose this device to rain, moisture, or excessive humidity.
6. Batteries should not be exposed to excessive heat, such as direct sunlight, fire, or being left in a hot car.
7. Take great care when using the microphone around moving objects or in other situations where the cable could be suddenly tugged or pulled.

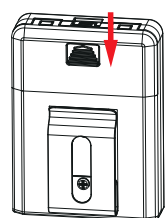
4

Installing Battery

1. Push the open switch & battery compartment backward at the same time until they separate;
2. Insert an AA battery to the battery compartment, make sure that the + and - signs match the symbols in the compartment.



3. Close the battery compartment



5

Feature

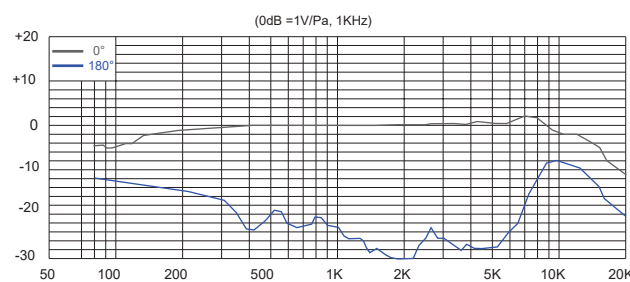
- For Vocal & Acoustic Guitar Applications
- Cardioid condenser microphone
- Broadcast-quality condenser mic
- XLR output connector
- Includes lapel clip, foam windscreen, windshield fur, pouch
- 48V phantom power or 1xAA battery
- Rugged metal construction

Specifications:

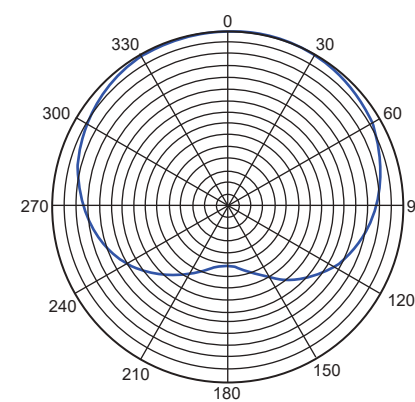
Frequency Response:	35-18,000Hz
Sensitivity:	-38dB +/- 3dB / 0dB=1V/Pa, 1kHz
Signal to Noise Ratio:	80dB
Output Impedance:	200 Ohms
Power Supply:	1.5V battery or 48V phantom
Battery Life:	70 hours approximately
Switch:	Off, on-flat, on-roll-off
Plug:	3-pin XLR
Dimensions of power mould(L*H*D):	86*63*28mm (3.4x2.5x1.1')
Length of the lavalier cable:	2m (6.6')
Net Weight:	212g (7.5oz)

6

FREQUENCY RESPONSE



POLAR RESPONSE



7

www.boy-a-mic.com

BOYA AUDIO EQUIPMENT (SHENZHEN) CO., LIMITED
 Add: A16 building, New Material Industrial Park of
 Silicon Valley Power, Guanlan Town, Shenzhen, China
 Tel: (86)0755-28435910
 Email: sales@boya-mic.com