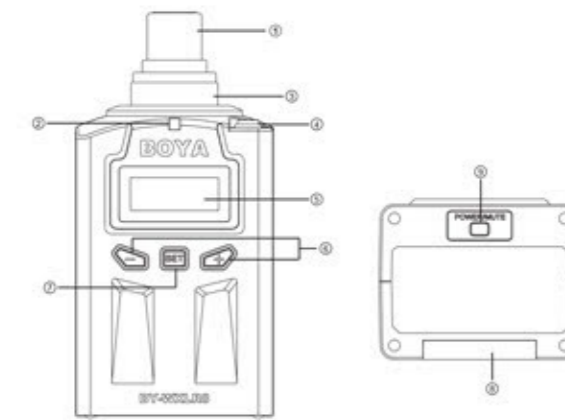


BY-WXLR8 Plug-on Transmitter



23

Product Structure



1. Audio XLR input connector

Connect a microphone or a line output connector of an audio mixer, etc.

2. Power LED

- 1) The power LED glows blue when the unit is on.
- 2) The power LED of transmitter glows red when low power.

For more details about LED indicator, please refer to "Power LED" on page 4.

3. Knurled ring

24

4. Line In

5. LCD display

For more details, please refer to "LCD Display Operation Guide" on page 26.

6. + (+ selection)/ - (- selection) buttons

Press these buttons to set the transmission channel, or attenuation level of the input signal.

7. SET button

Press to change and enter display parameters.

For details, please see "How to set up channel, VOL, STEREO and MONO" on page 22.

8. Battery compartment

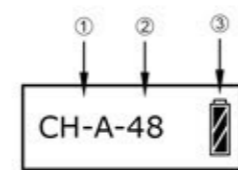
Accommodates two AA batteries.

9. Power/Mute button

Function	Operation
Power ON	Long press button
Power OFF	Long press button until it turns off
Mute ON	Short press button
Mute OFF	

25

LCD Display Operation Guide.

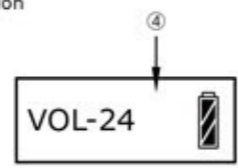


① Channel Group (A/B)

Long press "SET" button to change Channel "A" or "B"

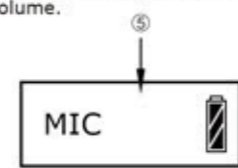
② Channel number (1-48)

③ Battery indication



④ Sound Volume (1-32)

Press the +/- (+/- selection) button to increase/decrease the volume.

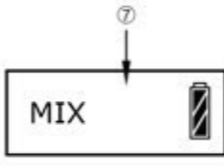


⑤ Set mold to "MIC" when a microphone is connected to the audio input connector.

26



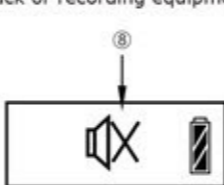
⑥ Set mold to "LINE" when an audio mixer, etc. is connected to the audio input connector.



⑦ Set mold to "MIX" when connect to both audio input connector and audio mixer etc.

Important

1. The BY-WXLR8 does not support external power supply.
2. Do not set the INPUT mold to MIC mold while the audio signal is being input from the audio mixer, etc., it may cause excessive audio input, resulting in distorted playback or recorded sound or damage to playback or recording equipment.



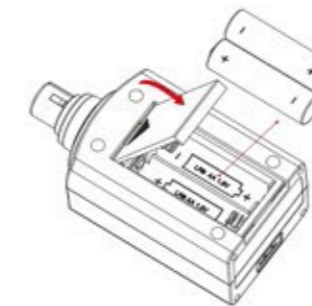
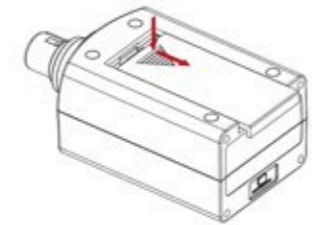
⑧ Mute On

27

Installing Batteries

The transmitter is each powered by two AA batteries. To install batteries, please follow these steps:

1. Slide the battery cover to release the lock and open the battery compartment.
2. Insert two new AA batteries into the battery compartment by matching their polarities to the indications inside the compartment, and then close the cover.



28

To attach a microphone or a XLR cable



Push the microphone or cable connector into the XLR audio input jack of the BY-WXLR8, then turn the knurled ring in a anti-clockwise direction, gently tightening it so the microphone or XLR cable base is seated firmly in place.

To detach a microphone or a XLR cable

Turn the knurled ring in a clockwise direction, and pull off the microphone or cable slowly.



Note: Please turn off the transmitter before attaching or removing the microphone.

Connecting the Plug-on Transmitter and the Receiver

To connect the Plug-on Transmitter and the receiver, follow these steps:

1. Turn on the transmitter and the receiver.
2. Set the plug-on transmitter and the receiver to the same channel.
If you are experiencing interference or noise on one channel, try a different channel.

29